

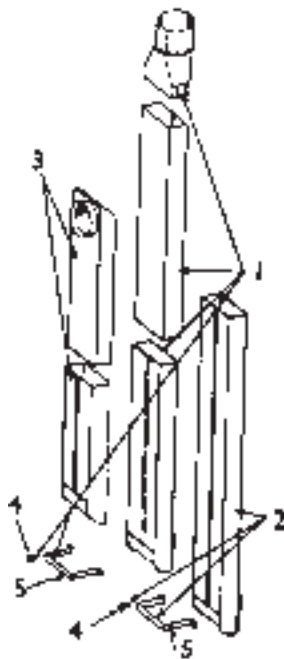
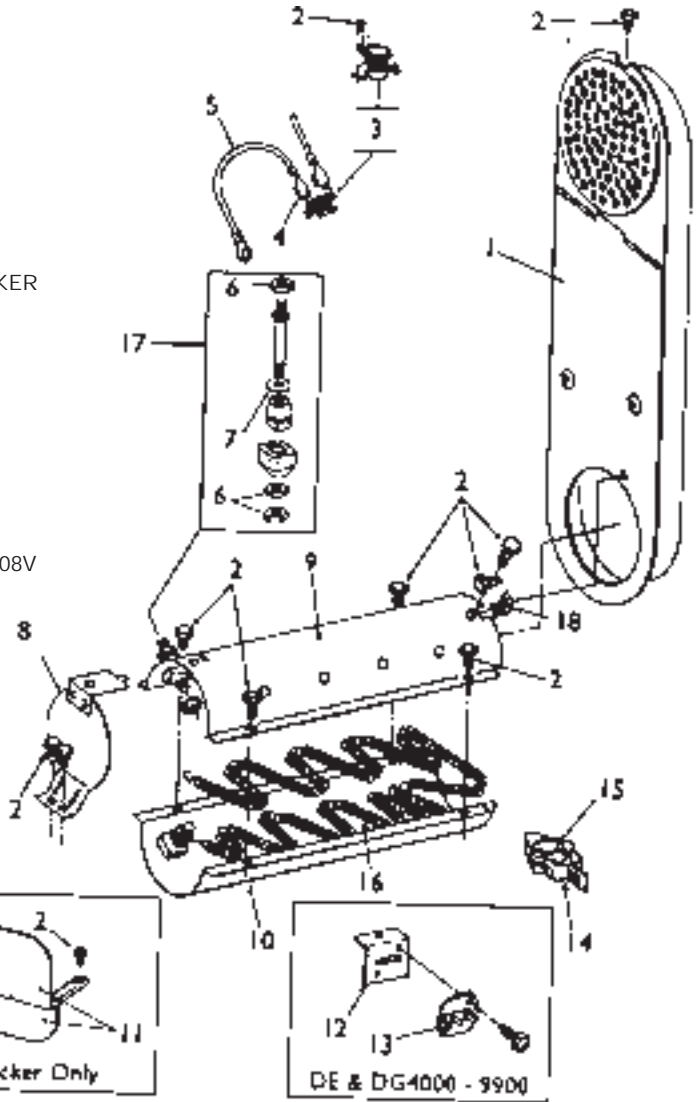
1	3-5603	SECONDARY COIL	23	3-14603	MAIN BURNER ORIFICE - NAT.
2	3-5604	HOLDING COIL	24	3-6086	ANGLE SHUT OFF
3	3-5605	BOOSTER	25	3-10454	MANIFOLD PIPE - 2" LONG
4	3-338	GAS VALVE	26	3-13262	WIRE RETAINER
5	2-11410	SCREW	27	2-12276	SCREW - BURNER TO SUPPORT
6	3-13561	SCREW - BRACKET TO BASE	28	3-6162	BURNER & SCREW
7	3-12929	BRACKET FOR GAS VALVE	29	2-51119	SCREW - BURNER TO VALVE BRACKET
8	3-10632	SCREW - VALVE BRACKET TO BASE	30	3-14508	BRACKET FOR GAS VALVE
9	3-10632	SCREW - BURNER TO VALVE BRACKET	31	3-14082	SCREW - VALVE TO VALVE BRACKET
10	3-4971	SCREW - IGNITOR TO BURNER	32	3-2810	BLUE BLOCK OPEN SCREW ASSY.
11	3-4970	IGNITOR FOR GAS VALVE PILOT	33	3-5861	MAIN BURNER ORIFICE KIT - NAT.
12	3-4974	BURNER ASSEMBLY	34	3-6184	REGULATOR FOR BLOCKING PLUG
13	3-6106	HOLDING & BOOSTER COIL	35	3-5860	MAIN BURNER ORIFICE KIT - LP
14	3-6105	SECONDARY COIL	36	3-2809	LEAK LIMITER SCREW ASSY. - NAT.
15	3-6176	GAS VALVE	37	3-3369	INLET DUCT ASSEMBLY
16	3-14566	GAS VALVE BRACKET	38	3-7119	INLET DUCT ASSY. - DG4000 TO DG9900
17	3-3349	ANGLE SHUT OFF	39	3-12890	RETAINER BRACKET
18	3-3383	PIPE & BRACKET ASSEMBLY	40	3-3841	EXTENSION FOR COMBUSTION CONE
19	3-6195	CONV. KIT - NATURAL TO LPG	41	3-14509	EXTENSION FOR COMBUSTION FOR STACKER
20	3-4672	CONV. KIT - LPG TO NATURAL			HI-LIMIT THERMOSTAT
21	3-6084	GAS VALVE			COMBUSTION SENSOR FOR GAS VALVE
22	3-11640	MAIN BURNER ORIFICE - LP			
	3-11641	MAIN BURNER ORIFICE - MIXED			

Part numbers and illustrations intended solely for identification. Items offered for sale not represented to be manufactured by the company that built the item.

- | | | |
|----|---------|-------------------------------------|
| 1 | 3-3362 | INLET DUCT ASSEMBLY |
| 2 | 2-11294 | SCREW |
| 3 | 3-3396 | HI-LIMIT THERMOSTAT |
| | 3-3896 | HI-LIMIT THERMOSTAT 200° |
| 4 | 2-10745 | WIRE TERMINAL |
| 5 | 3-4693 | JUMPER WIRE |
| 6 | 3-11484 | NUT |
| 7 | 3-11093 | WASHER |
| 8 | 3-4124 | RADIANT SHIELD |
| 9 | 3-13575 | HEATER CHAMBER - TOP |
| | 3-14502 | HEATER CHAMBER - TOP FOR STACKER |
| 10 | 3-13576 | HEATER CHAMBER - BOTTOM |
| | 3-14501 | HEATER CHAMBER - BOTTOM FOR STACKER |
| 11 | 3-14504 | RADIANT SHIELD FOR STACKER |
| 12 | 3-15046 | BRACKET FOR THERMAL FUSE |
| 13 | 3-7473 | THERMAL FUSE |
| 14 | 3-3881 | CLIP AND INSULATOR ASSEMBLY |
| 15 | 3-13270 | INSULATOR |
| 16 | 3-13538 | HEATER ELEMENT - 240V |
| | 3-4837 | HEATER ELEMENT - 208V |
| | 3-6378 | HEATER ELEMENT FOR STACKER - 208V |
| 17 | 3-4596 | THERMAL INSULATOR ASSEMBLY |
| 18 | 3-12890 | HEATER CHAMBER RETAINER |

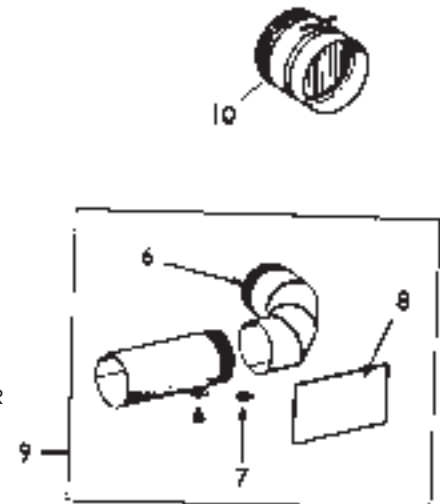
COMPLETE HEATER UNITS:

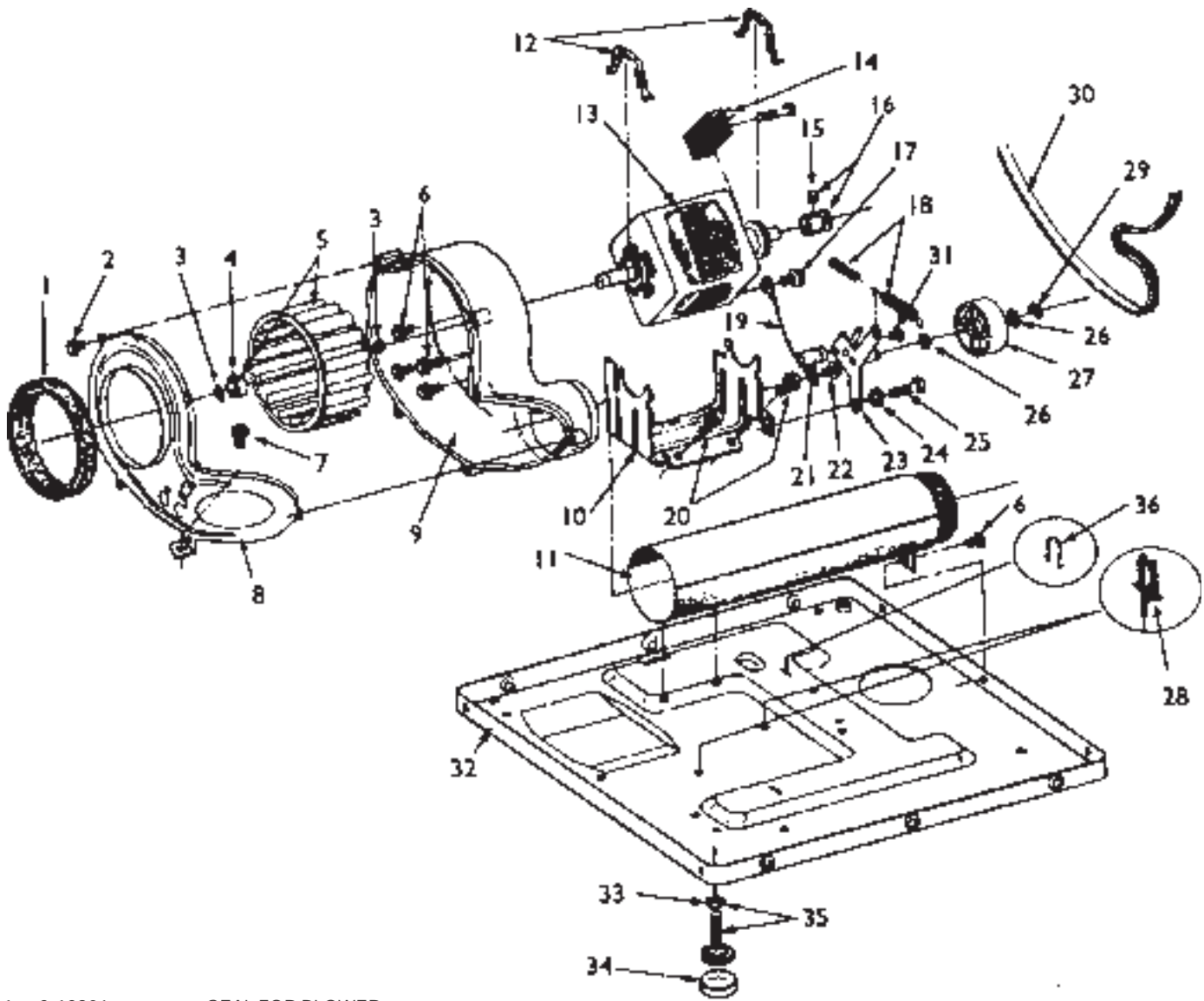
- | | |
|--------|----------------------------------|
| 3-3404 | 240V COIL - FOR "06""12" |
| 3-3778 | 240V COIL - FOR DE4000 TO DE9900 |
| 3-6111 | 240V COIL - FOR STACKER DRYER |
| 3-6379 | 208V COIL - FOR STACKER DRYER |



VENTING ACCESSORIES

- | | | |
|----|---------|---|
| 1 | 59144 | RECTANGULAR KIT WITH ROUND ADAPTOR - EXTENDS 38" TO 55" |
| 2 | 3-3736 | EXHAUST DEFLECTOR KIT FOR NON-VENTED DRYER |
| 3 | 59135 | VENT DUCT ASSEMBLY - EXTENDS 18" TO 30" |
| 4 | 2-11294 | SCREW |
| 5 | 3-13272 | BRACKET FOR EXHAUST DEFLECTOR |
| 6 | 59131 | ALUMINUM ELBOW, 4" |
| 7 | 2-13323 | FASTENER FOR EXHAUST DEFLECTOR |
| 8 | 3-12302 | INSULATION FOR EXHAUST DUCT KIT |
| 9 | 3-4652 | EXHAUST DUCT KIT FOR SIDE & BOTTOM VENTING |
| 10 | 059146 | BACK DRAFT DAMPER - 4" |

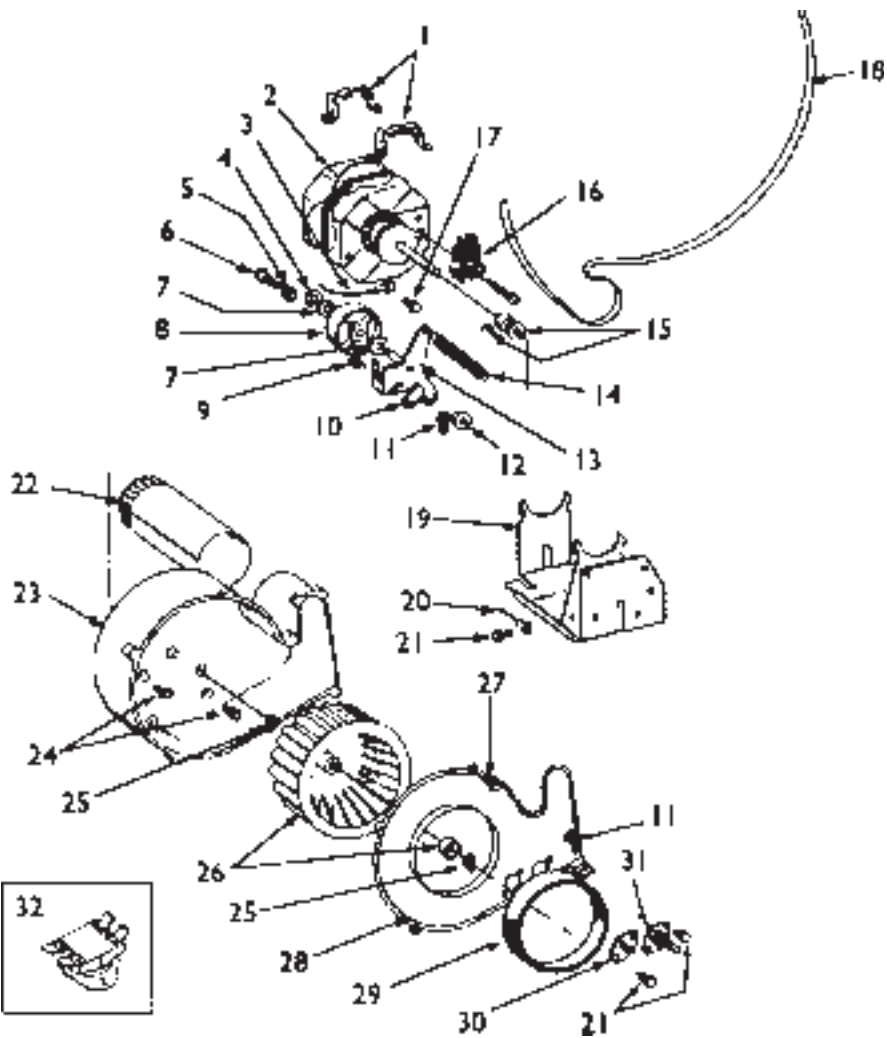




- 1 3-12901 SEAL FOR BLOWER
- 2 3-12961 SCREW, BLOWER COVER TO HOUSING - 6 USED
- 3 4-10233 "C"-CLIP FOR MOTOR SHAFT
- 4 3-12967 CLAMP FOR BLOWER HOUSING
- 5 3-3836 BLOWER IMPELLER WITH CLAMP
- 6 3-10632 SCREW
- 7 3-13561 SCREW, BLOWER COVER TO BASE
- 8 3-14778 COVER FOR BLOWER
- 3-14778 COVER FOR BLOWER - DE DG 9900 ONLY
- 3-14846 COVER FOR BLOWER - DE DG 4000 TO 9800
- 9 3-12893 BLOWER HOUSING
- 10 3-12897 MOTOR SUPPORT
- 11 3-3442 EXHAUST DUCT
- 12 15825 CLIP, MOTOR TO MOUNT - 2 USED
- 13 3-3358 MOTOR, DOUBLE SHAFT
- 14 EXTERNAL START SWITCHES
- 3-3877 FOR MOTORS WITH PROD. # 3-3358-2, 3-3358-4 & 3-3358-7
- 3-3879 FOR MOTORS WITH PROD. # 3-3358 & 3-3358-6
- 3-6207 FOR MOTORS WITH PROD. # 3-3358-8

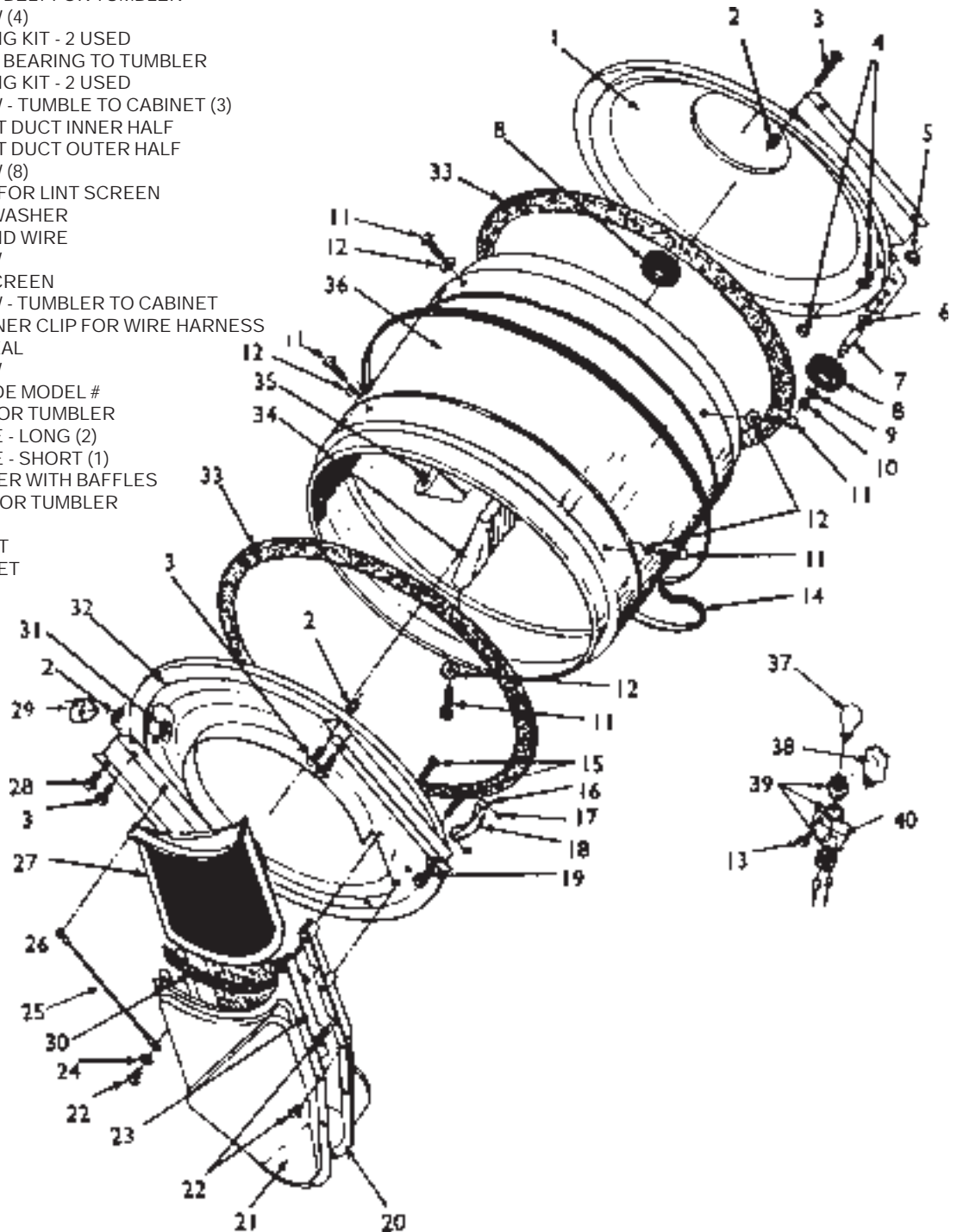
- NOTE NOT ALL SWITCHES ARE AVAILABLE
- 15 53241 SET SCREW FOR MOTOR PULLEY
 - 16 3-5185 MOTOR PULLEY WITH SET SCREW
 - 17 910343 SCREW, GROUND WIRE TO MOTOR
 - 18 3-3945 IDLER SPRING ASSEMBLY WITH PLUG
 - 19 9-1220 GROUND WIRE
 - 20 3-13561 SCREW, MOTOR SUPPORT TO BASE
 - 21 3-13582 SPACER FOR IDLER BRACKET
 - 22 9-10343 SCREW, GROUND WIRE TO MOTOR SUPPORT
 - 23 3-3363 IDLER ARM AND SHAFT ASSEMBLY
 - 24 3-12984 SLEEVE FOR IDLER ARM FOR TUMBLER BELT
 - 25 14874 SCREW, IDLER ARM TO MOTOR
 - 26 3-12527 DRYER FOR IDLER SHAFT
 - 27 3-3705 IDLER PULLEY WITH BEARING
 - 28 3-13262 WIRE RETAINER ON BASE FRAME
 - 29 3-12958 LOCKING RING FOR IDLER SHAFT
 - 30 3-12959 POLY V-BELT FOR TUMBLER
 - 31 3-12961 SCREW, SPACER TO IDLER BRACKET
 - 32 3-3361 BASE ASSEMBLY
 - 33 52740 LOCK NUT FOR ADJUSTABLE LEG
 - 34 3-14137 RUBBER FOOT FOR LEG
 - 35 3-5086 ADJUSTABLE LEG & NUT
 - 36 4-10490 HARNESS SPRING

Part numbers and illustrations intended solely for identification. Items offered for sale not represented to be manufactured by the company that built the item.

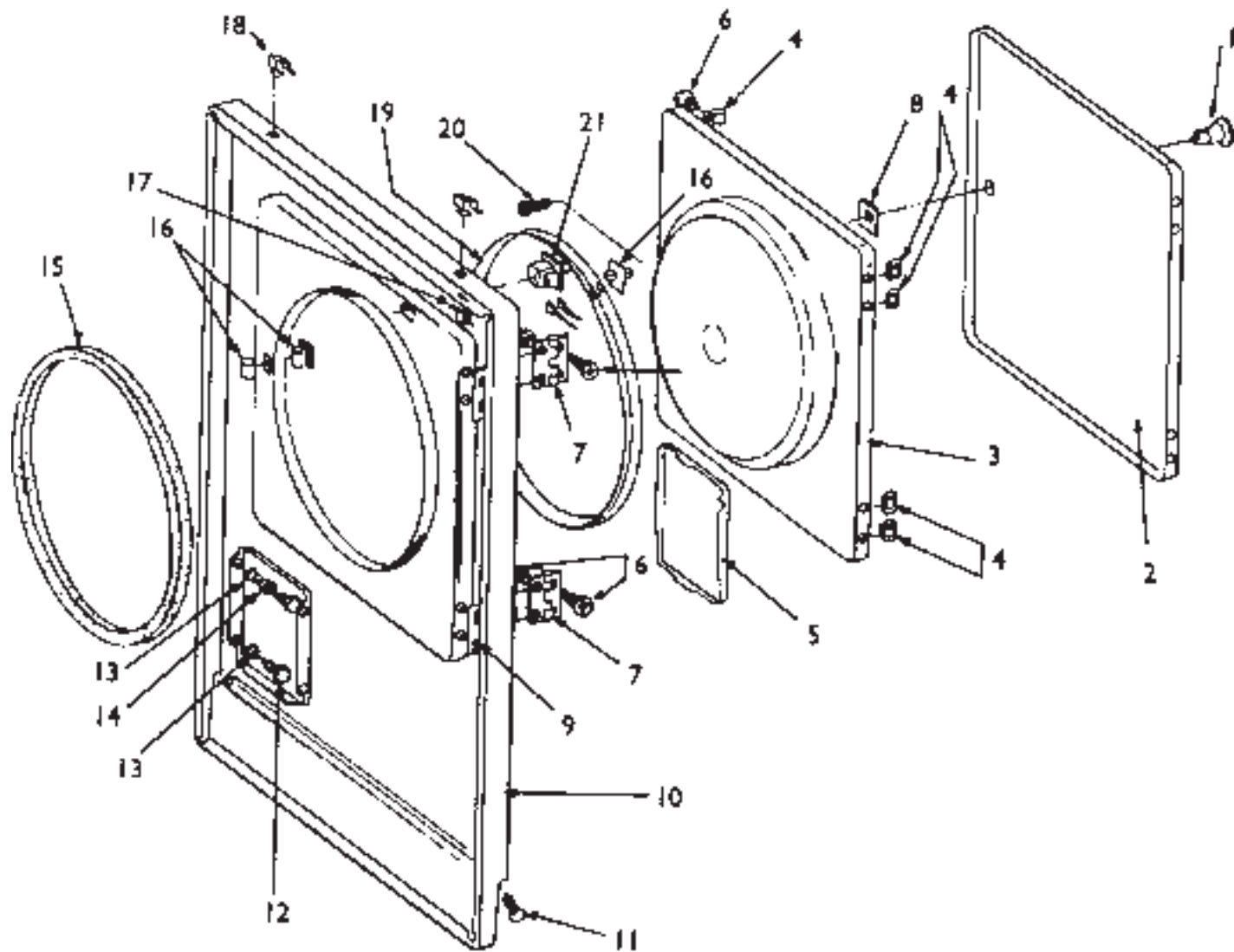


- 1 15825 CLIP, MOTOR TO MOUNT
- 2 3-6055 MOTOR
- 3 9-1220 GROUND WIRE
- 4 3-12958 LOCK RING FOR IDLER SHAFT
- 5 3-12894 SLEEVE FOR IDLER ARM
- 6 3-10842 SCREW, IDLER ARM TO MOTOR SUPPORT
- 7 3-12527 WASHER, IDLER SHAFT
- 8 3-3705 IDLER PULLEY WITH BEARING
- 9 3-12057 SCREW, SPACER TO IDLER BRACKET
- 10 3-14456 SPACER FOR IDLER BRACKET
- 11 3-13561 SCREW
- 12 3-14457 SPACER FOR IDLER ARM
- 13 3-3363 IDLER ARM & SHAFT ASSEMBLY
- 14 3-14473 SPRING FOR IDLER ASSEMBLY
- 15 3-6099 MOTOR PULLEY WITH SET SCREW
- 16 EXTERNAL START SWITCH
- 17 3-3877 FOR MOTORS WITH PROD. # 3-6055-1
- 17 3-6207 FOR MOTORS WITH PROD. # 3-6055
- 18 9-10343 SCREW, GROUND WIRE TO MOTOR
- 18 3-12959 POLY V-BELT FOR TUMBLER
- 19 3-6054 MOTOR & BLOWER HOUSING SUPPORT
- 20 9-1220 GROUND WIRE
- 21 2-11294 SCREW
- 22 3-6064 EXHAUST DUCT
- 22 3-14716 REATINER CLIP FOR 3-6064 - 2 USED
- 23 3-12893 BLOWER HOUSING
- 24 3-10632 SCREW
- 25 4-10233 "C"-CLIP ON SHAFT
- 26 3-3836 BLOWER IMPELLER WITH CLAMP
- 27 3-12961 SCREW
- 28 3-12895 COVER FOR BLOWER
- 29 3-12901 SEAL FOR BLOWER
- 30 3-6056 THERMISTOR TEMPERATURE CONTROL
- 31 3-6060 THERMOSTAT - CYCLING
- 32 3-3329 HI LIMIT THERMO. FOR CANADA ONLY

- 1 3-4648 TUMBLER BACK WITH FELT SEAL
- 2 3-13915 THREAD COVER (4)
- 3 3-13764 SCREW FOR TUMBLER SUPPORT (4)
- 4 2-11294 SCREW
- 5 3-12538 NUT - ROLLER SHAFT TO TUMBLER BACK
- 6 3-13347 SPRING WASHER
- 7 3-12948 SHAFT FOR TUMBLER ROLLER
- 8 3-3373 ROLLER WITH BEARING
- 9 4-10233 WASHER FOR ROLLER SHAFT
- 10 4-10233 "C"-CLIP ON SHAFT
- 11 3-10759 SCREW - BAFFLE TO TUMBLER
- 12 3-14158 WASHER (6)
- 13 3-10207 SCREW - LAMP BRACKET
- 14 3-12959 POLY V-BELT FOR TUMBLER
- 15 3-14110 SCREW (4)
- 16 3-6508 BEARING KIT - 2 USED
- 17 2-10720 RIVET - BEARING TO TUMBLER
- 18 3-6508 BEARING KIT - 2 USED
- 19 3-10632 SCREW - TUMBLE TO CABINET (3)
- 20 3-4810 OUTLET DUCT INNER HALF
- 21 3-12964 OUTLET DUCT OUTER HALF
- 22 3-12961 SCREW (8)
- 23 3-13795 GUIDE FOR LINT SCREEN
- 24 3-10557 LOCK WASHER
- 25 9-1220 GROUND WIRE
- 26 2-11294 SCREW
- 27 3-6666 LINT SCREEN
- 28 3-13561 SCREW - TUMBLER TO CABINET
- 29 3-10376 FASTENER CLIP FOR WIRE HARNESS
- 30 3-13796 LINT SEAL
- 31 2-51119 SCREW
- 32 PROVIDE MODEL #
- 33 3-13541 SEAL FOR TUMBLER
- 34 3-14155 BAFFLE - LONG (2)
- 35 3-14154 BAFFLE - SHORT (1)
- 36 3-5187 TUMBLER WITH BAFFLES
- 37 3-909 LAMP FOR TUMBLER
- 38 3-12892 LENS
- 39 3-910 SOCKET
- 40 3-12903 BRACKET



Part numbers and illustrations intended solely for identification. Items offered for sale not represented to be manufactured by the company that built the item.



- | | | | | |
|---|----------|------------------------------------|---------|----------------------------------|
| 1 | 3-3942 | KNOB & SCREW FOR DOOR | 10 | FRONT PANEL ASSEMBLY FOR DG & DE |
| 2 | 3-4579 | DOOR ASSEMBLY COMPLETE - LESS KNOB | 3-4594 | WHITE DG |
| | 3-4579L | WHITE | 3-4594L | ALMOND DG |
| | 3-4579L | ALMOND | 3-4594M | HARVEST WHEAT DG |
| | 3-4579M | HARVEST WHEAT | 3-4595 | WHITE DE |
| | 3-13908 | OUTER PANEL FOR DOOR | 3-4595L | ALMOND DE |
| | 3-13908L | WHITE | 3-4595M | HARVEST WHEAT DE |
| | 3-13908M | ALMOND | 11 | 2-4439 |
| | 3-13908M | HARVEST WHEAT | 12 | SCREW & FASTENER (2) |
| 3 | 3-5835 | INNER DOOR WITH KNOB & SCREW | 13 | 2-12949 |
| 4 | 3-13910 | CLIP - INNER DOOR LINER | 14 | SCREW (4) DG |
| | | TO OUTER DOOR PANEL (6) | 15 | 3-12301 |
| 5 | 3-2542 | ACCESS DOOR WITH DECAL (DG) | 16 | 3-12369 |
| | 3-2542L | WHITE | | FOR ACCESS DOOR DG |
| | 3-2542L | ALMOND | 17 | 3-14286 |
| | 3-2542M | HARVEST WHEAT | 18 | SEAL FOR FRONT PANEL |
| 6 | 3-14062 | SCREW | | CATCH ASSEMBLY FOR DOOR - |
| 7 | 3-4577 | HINGE FOR DOOR - 2 USED | | INCLUDES LATCH & STRIKE |
| 8 | 3-13911 | RETAINER FOR DOOR STRIKE | 19 | 3-10376 |
| 9 | 3-13907 | TWIN FASTENER (2) | 20 | CLIP FOR DOOR SWITCH HARNESS |
| | | | 21 | 2-12982 |
| | | | | SPRING FASTENER |
| | | | | FOR TOP OF FRONT PANEL (2) |
| | | | | SEAL FOR DOOR KNOB |
| | | | | SCREW FOR DOOR KNOB |
| | | | | DOOR SWITCH - PROVIDE MODEL # |
| | | | | DOOR SWITCH - PROVIDE MODEL # |



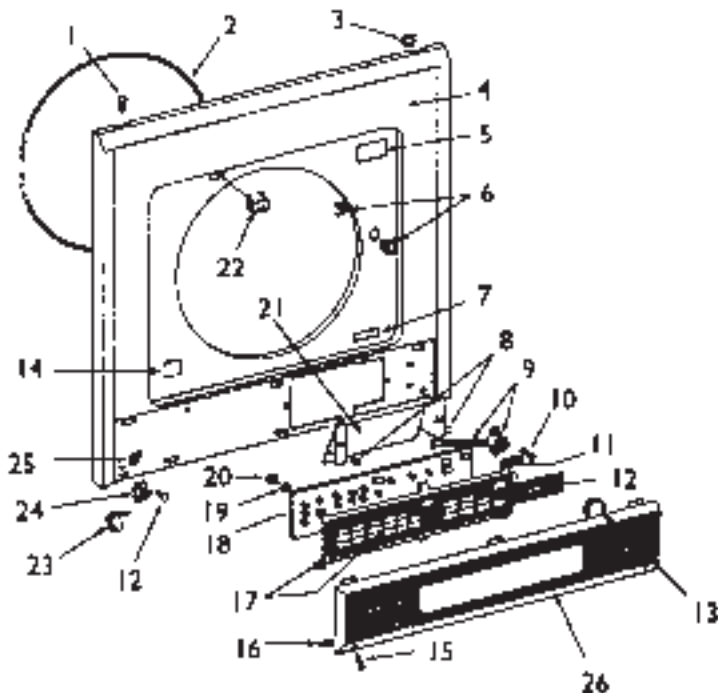
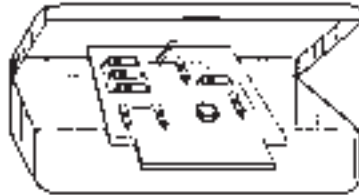
20000012
DIGITAL MULTI-TEMP METER
Features large, easy to read LCD display, overage indicator, continuity buzzer. Compact and lightweight (includes carrying case). Ranges 0-1000 DC V, 0-2000 mA DC, 0-750 AC V, 0-2 Megaohms R, -50°F to 2000°F.



20000005
ANALOG MULTI-TEMP METER
Impact resistant case with compartments for test leads, alligator clips and other accessories. Color coded scales on practical easy to read ranges. Special diode test. Ranges 0-150DC V, 0-300 AC V, 0-20 Megaohms R, 50°F to 300°F



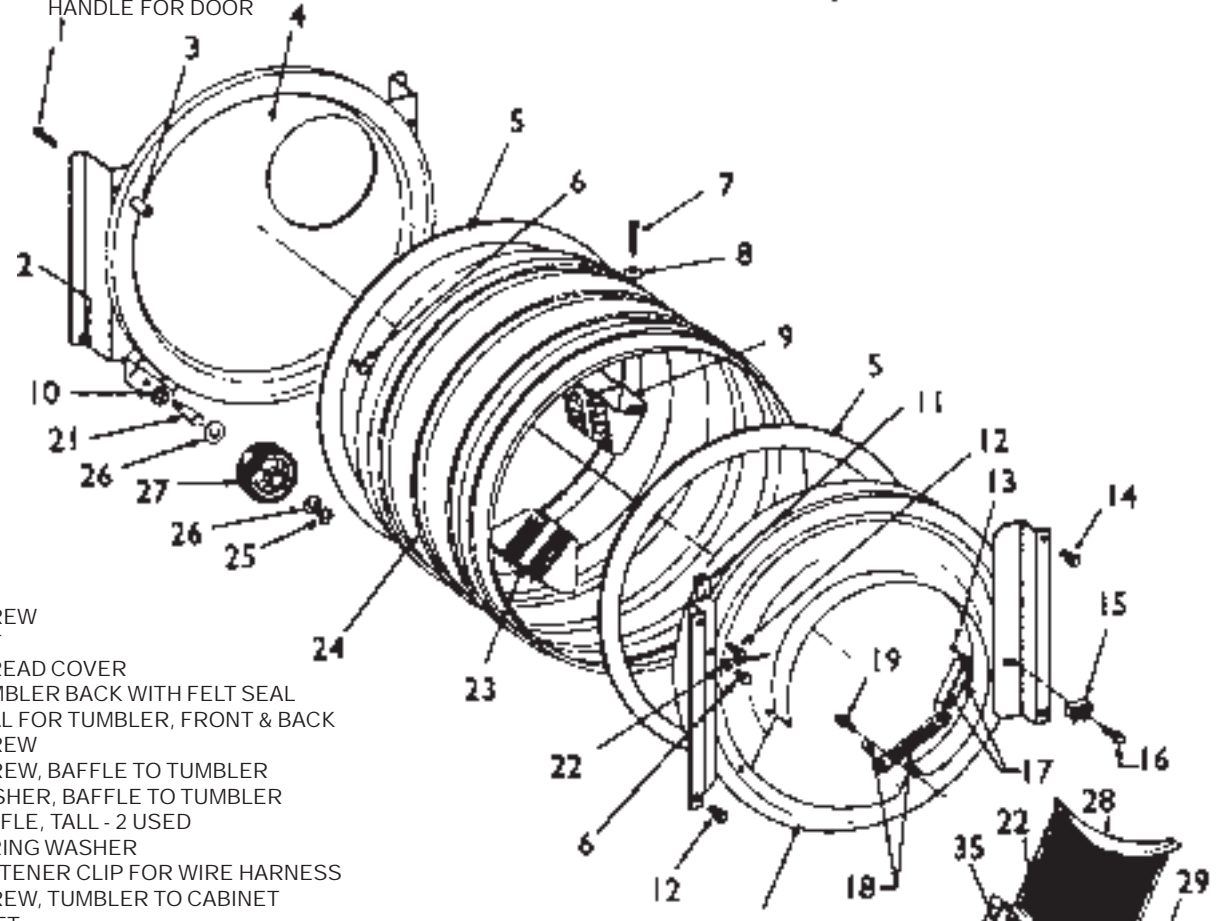
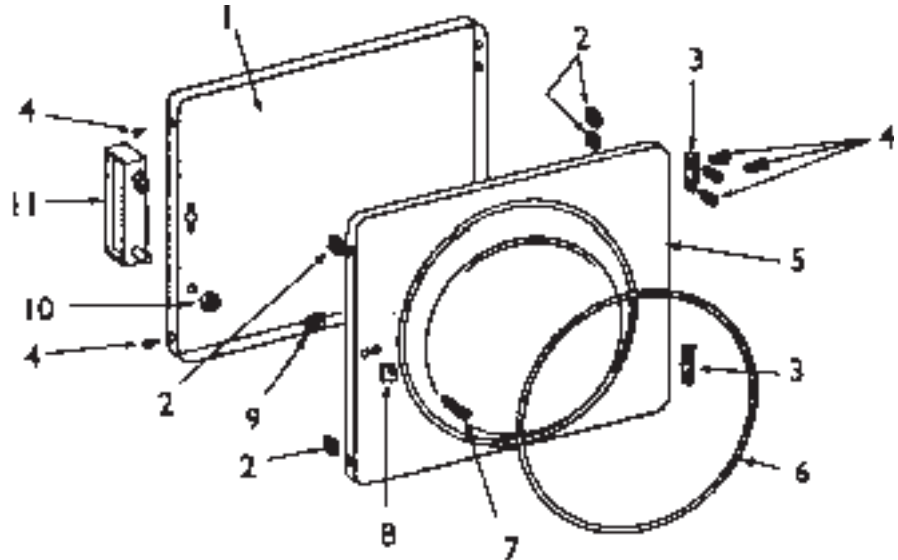
038204
CIRCUIT TEST BOARD
For testing electronic control dryers, includes instruction and carrying case.



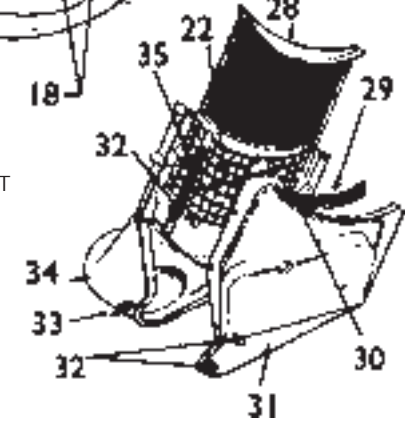
- | | | |
|----|----------|---------------------------------------|
| 1 | 2-12277 | SCREW - FRONT PANEL TO CABINET (2) |
| 2 | 3-14286 | SEAL FOR FRONT PANEL |
| 3 | 3-10376 | FASTENER CLIP |
| 4 | 3-14474 | FRONT PANEL - WHITE |
| | 3-14474L | FRONT PANEL - ALMOND |
| 5 | 3-13927 | INSTRUCTION LABEL |
| 6 | 3-6436 | DOOR LATCH KIT |
| 7 | 3-14609 | CAUTION LABEL |
| 8 | 3-14523 | CLIP - SHIELD TO FRONT PANEL (2) |
| 9 | 3-6070 | SPEAKER |
| 10 | 2-12949 | SCREW - SPEAKER TO FRONT PANEL |
| 11 | 9-12086 | SPEED CLIP |
| 12 | 2-11294 | SCREW |
| 13 | 3-14561 | AIR SEAL |
| 14 | 3-14486 | LABEL FOR CLEARANCE |
| 15 | 2-10932 | SCREW - PANEL TO MOUNTING BRACKET (2) |
| 16 | 3-14560 | MOISTURE BARRIER |
| 17 | 3-6292 | TOUCH PAD WITH BRACKET |
| 18 | 3-6069 | CONTROL ASSEMBLY |
| 19 | 9-12075 | CIRCUIT BOARD SPACER |
| 20 | 9-12077 | LOCK NUT - PLATE TO TOUCH PAD |
| 21 | 3-14517 | SHIELD FOR MICROPROCESSOR |
| 22 | 3-5753 | DOOR SWITCH |
| 23 | 3-14482 | SPRING FASTENER - PANEL TO CABINET |
| 24 | 3-14481 | MOUNTING BRACKET FOR CONTROL PANEL |
| 25 | 2-15075 | NUT ON CONTROL PANEL BRACKET |
| 26 | 3-6388 | CONTROL PANEL |

Part numbers and illustrations intended solely for identification. Items offered for sale not represented to be manufactured by the company that built the item.

- 1 3-14475 OUTER PANEL FOR DOOR - WHITE
- 3-14475L OUTER PANEL FOR DOOR - ALMOND
- 2 3-13910 CLIP - DOOR LINER TO DOOR PANEL
- 3 3-4577 HINGE FOR DOOR - 2 USED
- 4 3-14062 SCREW
- 5 3-5835 INNER DOOR WITH KNOB & SCREW
- 6 3-14077 SEAL FOR DOOR
- 7 3-12960 SCREW, DOOR HANDLE TO DOOR
- 8 3-6436 DOOR LATCH KIT
- 9 3-13911 RETAINER FOR DOOR STRIKE
- 10 2-14872 NUT DOOR HANDLE TO OUTER DOOR
- 11 3-14476 HANDLE FOR DOOR



- | | | | |
|------------|--------------------------------|------------|--------------------------------|
| 1 3-13764 | SCREW | 25 4-10233 | "C"-CLIP |
| 2 3-12538 | NUT | 26 3-12535 | WASHER FOR ROLLER SHAFT |
| 3 3-13915 | THREAD COVER | 27 3-3373 | ROLLER WITH BEARING |
| 4 3-4648 | TUMBLER BACK WITH FELT SEAL | 28 3-6666 | LINT SCREEN |
| 5 3-13541 | SEAL FOR TUMBLER, FRONT & BACK | 29 3-13796 | LINT SEAL |
| 6 2-11294 | SCREW | 30 3-10557 | LOCKWASHER |
| 7 3-10759 | SCREW, BAFFLE TO TUMBLER | 31 3-12961 | SCREW |
| 8 3-14158 | WASHER, BAFFLE TO TUMBLER | 32 3-14485 | OUTLET DUCT, OUTER HALF |
| 9 3-14468 | BAFFLE, TALL - 2 USED | 33 3-12961 | SCREW |
| 10 3-13347 | SPRING WASHER | 34 2-14894 | FASTENER |
| 11 3-10376 | FASTENER CLIP FOR WIRE HARNESS | 35 3-14484 | OUTLET DUCT, INNER HALF |
| 12 3-10632 | SCREW, TUMBLER TO CABINET | | GUIDE FOR LINT SCREEN - 2 USED |
| 13 2-10720 | RIVET | | |
| 14 3-13561 | SCREW, TUMBLER TO CABINET | | |
| 15 3-6130 | SPARK GAP ASSEMBLY | | |
| 16 3-14554 | SCREW, SPARK GAP TO TUMBLER | | |
| 17 3-6508 | TUMBLER BEARING KIT - 2 USED | | |
| 18 3-4997 | SENSOR ASSEMBLY WITH SCREWS | | |
| 19 3-14110 | SCREW, INLET DUCT TO TUMBLER | | |
| 20 3-6366 | TUMBLER FRONT ASSEMBLY | | |
| 21 3-12948 | SHAFT FOR TUMBLER ASSEMBLY | | |
| 22 9-1220 | GROUND WIRE | | |
| 23 3-14467 | BAFFLE REGULAR - 1 USED | | |
| 24 3-6107 | TUMBLER WITH BAFFLES | | |
| 3-14469 | TUMBLER LESS BAFFLES | | |

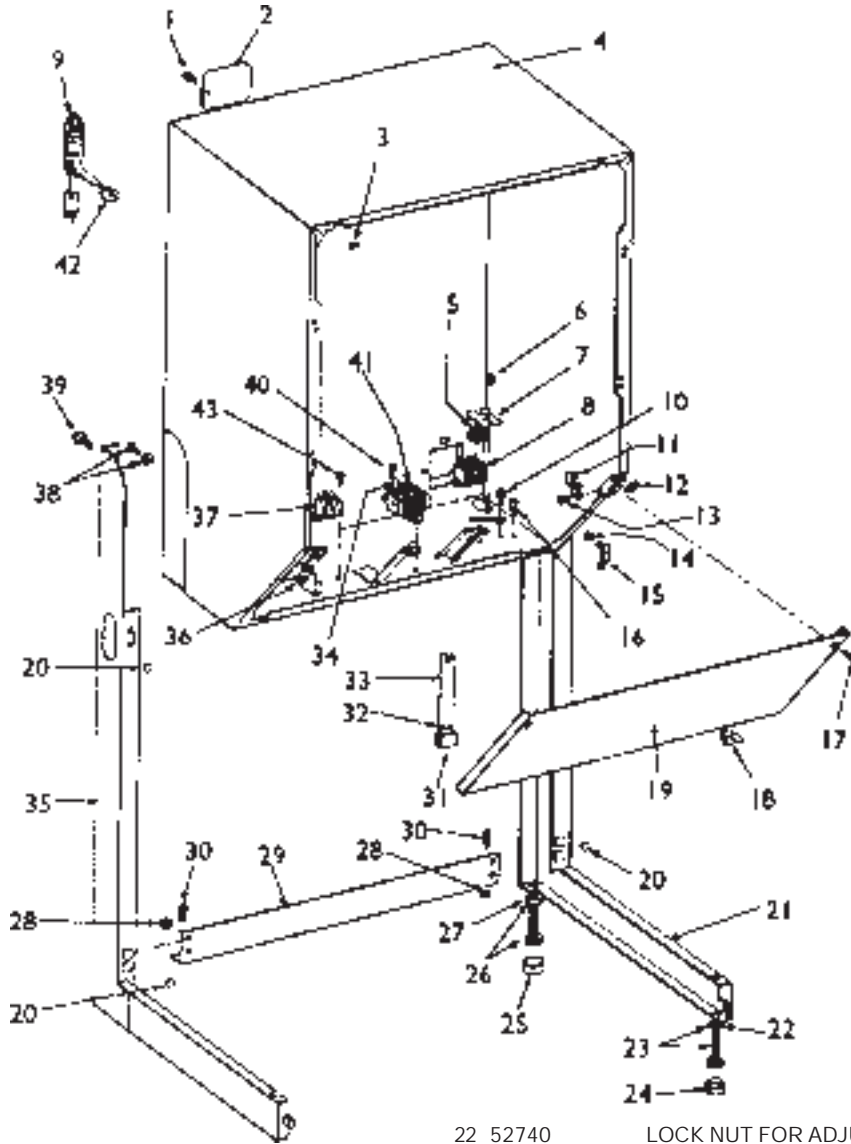


STACKING DRYER

CABINET ASSEMBLY

MAYTAG

MAYTAG



1	3-13561	SCREW, TERMINAL BRACKET TO CABINET	22	52740	LOCK NUT FOR ADJUSTABLE LEG
2	3-14470	TERMINAL COVER	23	3-5086	ADJUSTABLE LEG & NUT
3	3-12478	FASTENER, PANEL TO CABINET	24	3-5086	RUBBER FOOT FOR ADJUSTABLE LEGS - 2 USED
4	3-6641	CABINET - WHITE	25	2-10684	RUBBER FOOT FOR ADJUSTABLE LEGS - 2 USED
	3-6641L	CABINET - ALMOND	26	3-2699	ADJUSTABLE LEG & NUT
5	3-14522	STRAIN RELIEF	27	2-10385	LOCK NUT FOR ADJUSTABLE LEG
6	2-11168	SCREW, STRAIN RELIEF TO BRACE	28	52721	HEX NUT, BRACE TO LEG
7	3-14532	MOUNTING BRACKET FOR STRAIN RELIEF	29	3-14499	BRACE BETWEEN LEG ASSEMBLY
8	3-6199	HEATER RELAY	30	2-13326	SCREW, BRACE TO LEG ASSEMBLY
	2-51119	SCREW FOR RELAY	31	2-13074	PIN RECEPTACLE FOR PLUG
9	3-2521	POWER CORD, SG ONLY		2-13086	HOUSING, FEMALE
10	2-11252	SCREW, POWER GROUND WIRE TO BASE		3-14526	INSERT FOR STRAIN RELIEF
11	2-12458	CABLE STRAP	32	3-14527	CLAMP ON WIRE HARNESS
12	2-15075	FASTENER, ACCESS PANEL TO CABINET	33	3-6071	MICROPROCESSOR WIRE HARNESS
13	3-10632	SCREW	34	7413A005-60	VARISTOR
14	2-14872	NUT, PIN GUIDE TO LEG ASSEMBLY	35	3-6074	LEG ASSY. WITH PADS, LEFT HAND - WHITE
15	3-14489	PIN GUIDE		3-6074L	LEG ASSY. WITH PADS, LEFT HAND - ALMOND
16	3-13262	WIRE RETAINER ON BASE (4 USED)		3-6110	STAND FOR DRYER, COMPLETE - WHITE
17	3-14477	SCREW, ACCESS PANEL TO CABINET		3-6110L	STAND FOR DRYER, COMPLETE - ALMOND
18	3-14482	SPRING FASTENER ON ACCESS PANEL	36	2-15075	FASTENER, ACCESS PANEL TO CABINET
19	3-6072	ACCESS PANEL WITH SPRING - WHITE	37	9-1961	MOTOR REPLAY
	3-6072L	ACCESS PANEL WITH SPRING - ALMOND	38	3-3846	SCREW & WASHER, GROUNDING LUG
20	3-14498	PAD ON DRYER LEGS - 3 USED	39	8-10239	SCREW, CABINET TO STAND
21	3-6073	LEG ASSY. WITH PADS, RIGHT HAND - WHITE	40	2-12276	SCREW, TRANSFORMER TO BASE
	3-6073L	LEG ASSY. WITH PADS, RIGHT HAND - ALMOND	41	3-6062	TRANSFORMER
			42	3-14507	CORD GROMMET, SG ONLY
			43	2-51119	SCREW

Part numbers and illustrations intended solely for identification. Items offered for sale not represented to be manufactured by the company that built the item.