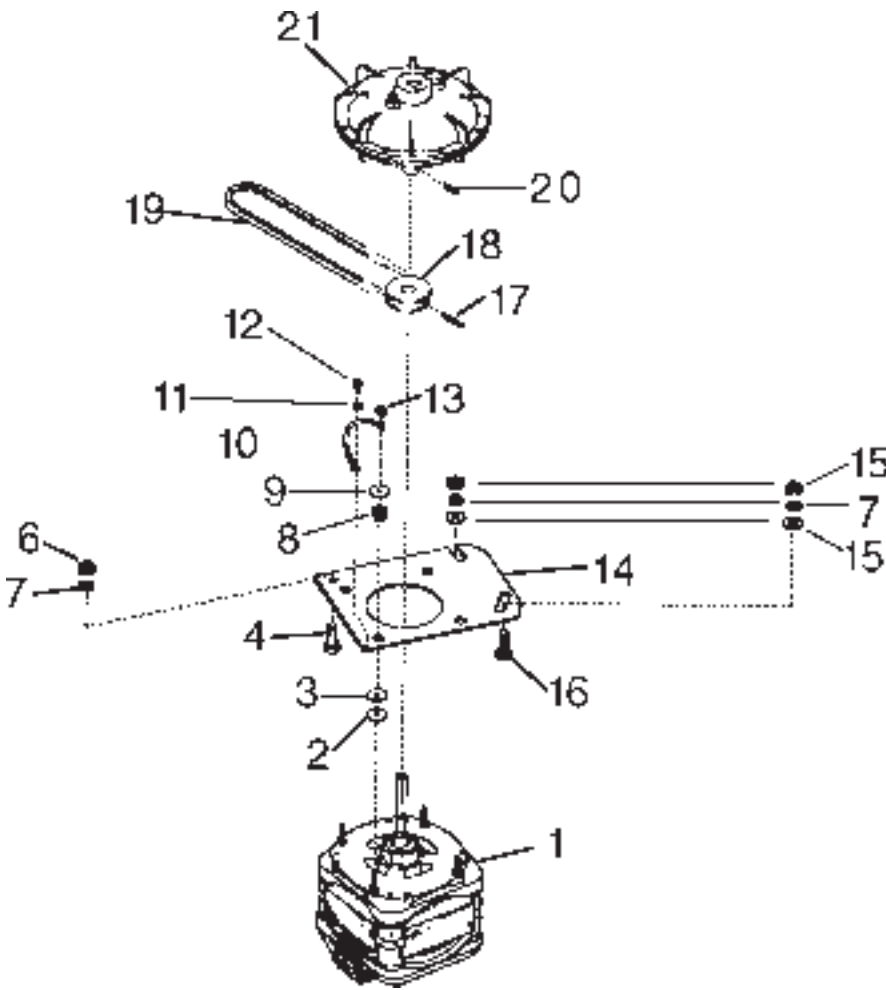


# WASHER

NEW STYLE FLUID DRIVE MECHANISM

# SPEED QUEEN



- |    |       |   |
|----|-------|---|
| 1  | 24078 | N/S 2 ,SPEED MOTOR                          |
|    | 24707 | N/S 1 SPEED MOTOR                           |
| 2  | 20103 | WASHER                                      |
| 3  | 20104 | FIBER WASHER                                |
| 4  | 20255 | CAP SCREW                                   |
| 6  | 20274 | NUT   |
| 7  | 20277 | LOCKWASHER                                  |
| 8  | 20102 | RUBBER MOUNT                                |
| 9  | 20103 | WASHER                                      |
| 10 | 23768 | GROUND WIRE                                 |
| 11 | 21735 | LOCKWASHER                                  |
| 12 | 20530 | SCREW                                       |
| 13 | 23604 | LOCKNUT                                     |
| 14 | 23769 | MOTOR MOUNTING PLATE                        |
| 15 | 20279 | WASHER                                      |
| 16 | 20255 | CAP SCREW                                   |
| 17 | 23750 | ROLL PIN                                    |
| 18 | 24691 | MOTOR PULLEY                                |
| 19 | 23759 | N/S BELT                                    |
| 20 | 24703 | ROLL PIN                                    |
| 21 | 24706 | N/S FLUID DRIVE                             |
|    | 292P3 | FLUID DRIVE REPAIR KIT<br>(NOT ILLUSTRATED) |

20168  
Speed Queen Snubber Assy.  
Late Models 3 req.  
Early Models 6 req.

20185 (4L280)  
20186 (4L363)  
Speed Queen  
Old Style Belts , Wide  
23758 (3L365)  
23759 (3L280)  
27155  
28808  
Speed Queen  
Old Style Belts, Narrow.

28091  
Speed Queen Shaft with Block,  
New Style (HA Style).

21685 (LP922)  
4003  
Speed Queen Washer Lid  
Bumper.

26014  
Speed Queen Plastic Agitator  
Cap & Rubber Seal

26015  
Speed Queen Agitator Cap with  
Metal Tip For Fabric Dispenser.

26006  
Speed Queen Agitator.

23546  
Speed Queen  
Fabric Softener Dispenser.

23644  
Speed Queen Transmission Hub.

Part numbers and illustrations intended solely for identification. Items offered for sale not represented to be manufactured by the company that built the item.

WEST TUCSON  
520.293.8888

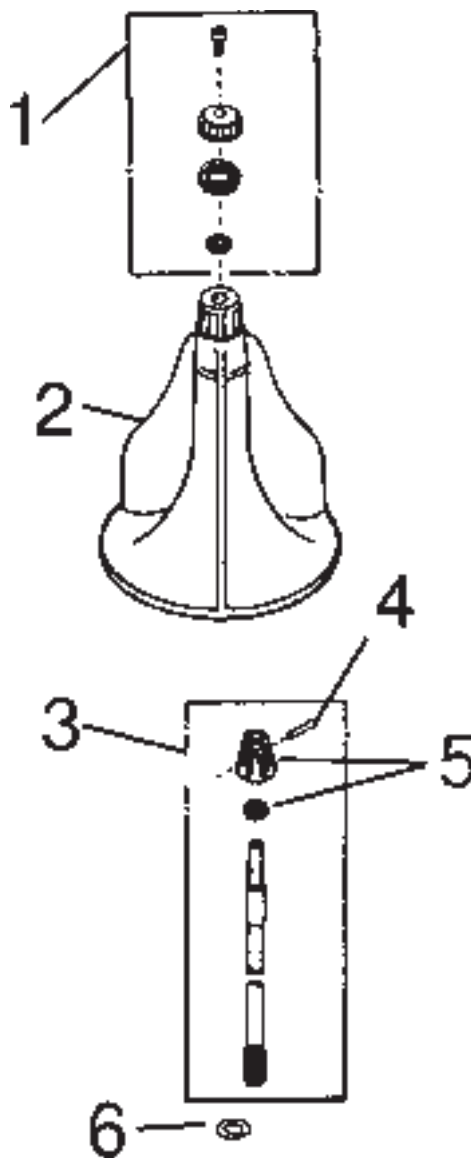
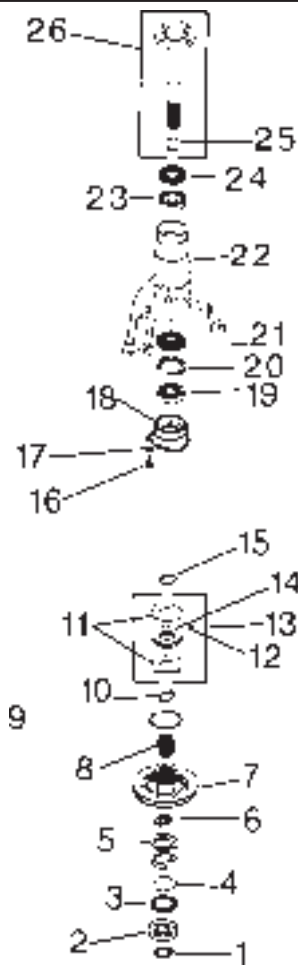
LAS VEGAS  
702.382.6532

RENO  
775.348.9090

SALT LAKE CITY  
801.975.1333

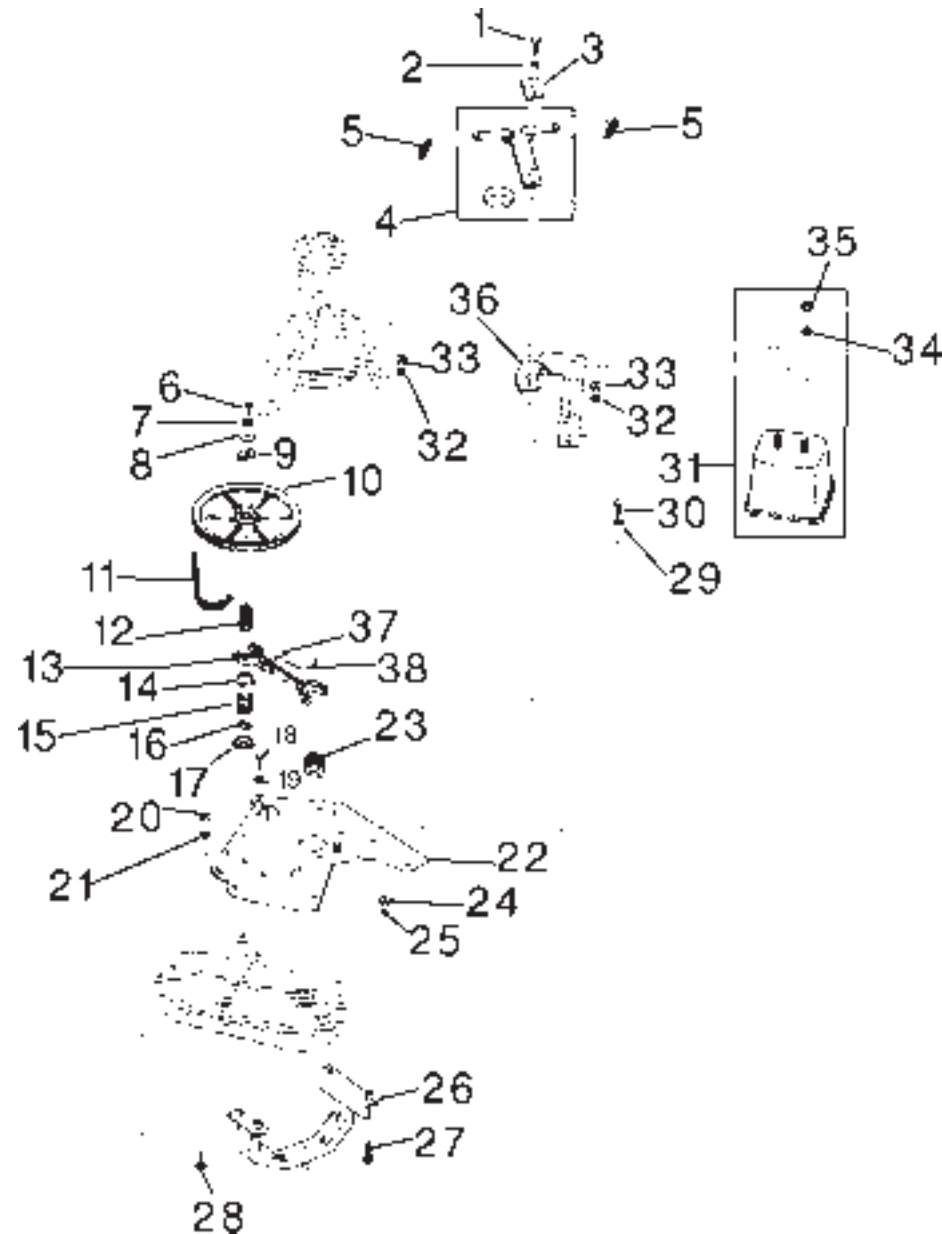
SAN ANTONIO  
210.223.2675

SAN ANTONIO  
210.525.0636



1	23724	RETAINING RING
	20178	O/S RETAINING RING
2	23640	SPRING RETAINER
3	23721	NEEDLE BEARING
4	23722	BEARING RACE
5	23723	SPRING
6	23635	SPIN PULLEY STOP
7	24690	N/S SPIN PULLEY
	20130	O/S SPIN PULLEY
	62541	O/S PULLEY SET SCREW
	20106	O/S PULLEY KEY
8	23634	SPIN PULLEY HUB
9	23720	RETAINER RING
10	23724	RETAINER RING
11	23637	BRAKE DISC
12	24500	SPRING CLIP
13	24599	BRAKE PAD ASSEMBLY
14	23708	BRAKE PAD
15	23724	RETAINING RING
16	02422	SCREW
17	F1440	LOCKWASHER
18A	23639	N/S BEARING RETAINER
18B	20054	O/S BEARING RETAINER
19	20012	BEARING
20	20084	RETAINER RING
21	26247	WATER SLINGER
22	25979	MAIN BEARING HOUSING
23	20012	BEARING
24	21659	WATER SEAL
25	25854	BEARING
26A	23731	N/S SPIN TUBE ASSY.
26B	21665	O/S SPIN TUBE ASSY.

1	103P3	HOLD DOWN CAP KIT (COMMERCIAL)
	26014	DOMESTIC CAP
	26015	DOMESTIC CAP WITH TIP FOR
2	26006	DISPENSOR.
3	21751	AGITATOR
	20243	SHAFT
5	20056	TAPER PIN
6	22135	DRIVE BLOCK & WASHER
		WASHER (STAINLESS STEEL)



1	24233	CAP SCREW	19	03189	LOCKWASHER
2	03189	LOCKWASHER	20	20274	NUT
3	22614	SNUBBER ARM SUPPORT	21	20277	LOCKWASHER
4	20168	SNUBBER PAD ASSY. (3 REQ.)	22	24749	MOUNTING PLATE
5	23632	SNUBBER SPRING (6 REQ.)	23A	23647	N/S SHIFT CLUTCH
6	02422	CAP SCREW	23B	20078	O/S SHIFT CLUTCH
7	F1440	LOCKWASHER	24	20275	NUT
8	23716	WASHER	25	03189	LOCKWASHER
9	23643	PULLEY STOP	26	22702	PIVOT YOKE & SLEEVE
10A	23773	N/S TRANSMISSION PULLEY	27	22688	CAP SCREW
10B	20207P	O/S TRANSMISSION PULLEY	28	22687	CAP SCREW
11A	23758	N/S BELT	29	03189	LOCKWASHER
11B	20186	O/S BELT	30	20264	CAP SCREW
12	23644	TRANSMISSION PULLEY HUB	31	25231	COUNTERBALANCE WEIGHT
13A	23732	SHIFTER FORK & COLLARS	32	20277	LOCKWASHER
13B	285P3	THRUST SPRING KIT (INC.14,15,16,17)	33	20274	NUT
14	26610	UPPER RETAINER	34	20277	LOCKWASHER
15	26609	THRUST SPRING	35	20274	NUT
16	23751	RETAINER RING	36	25139	COUNTERBALANCE WEIGHT BRACKET
17	26611	LOWER RETAINING RING	37	23911	PIVOT PIN
18	20264	CAP SCREW	38	20248	COTTER PIN

Part numbers and illustrations intended solely for identification. Items offered for sale not represented to be manufactured by the company that built the item.